

# HMF 2200-K



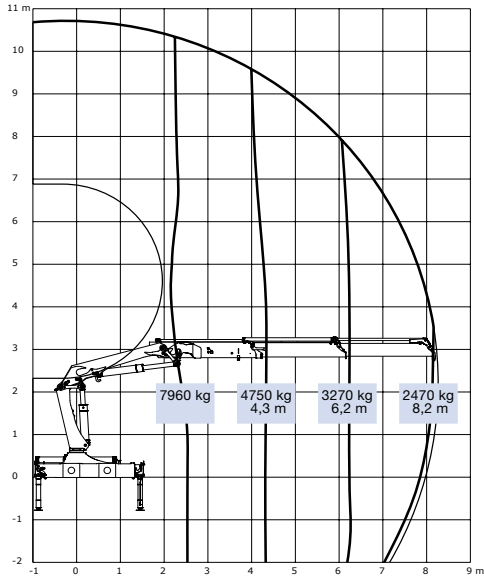
- power to lift.

# HMF Knuckle Boom Loader 2200-K

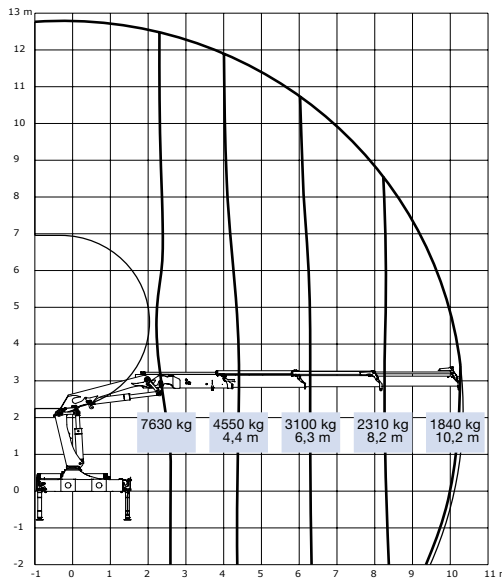
## The HMF 2200-K is fast, has great strength, easy maintenance and an extensive range of peripheral options

- The 2200-K is designed for many different possible applications. Whether the operator uses the loader for pure hook application or fits a grab or a pallet fork, the HMF 2200-K is the right loader.
- The jib extension system is available with over-bending of 15° between the main boom and the jib. Over-bending has the strength to lift maximum load in all boom positions, which increases the strength for lifting in high positions in narrow places.
- The HMF 2200-K Series has a dual Power Plus link arm system, which ensures an excellent lifting capacity and makes it possible to lift both a heavy load close to the column and also lift bulky items at long reach and in high positions.
- With HMF's newly developed CE-safety system, the RCL 5300 Series, HMF acknowledges that safety has to co-operate with the user and help him during critical lifting tasks.
- All load-bearing hydraulic cylinders on HMF 2200-K are equipped with load-holding valves. This is to secure against uncontrolled movements.
- All hydraulic hoses, including those for both stabilizers are fed internally. This means that the HMF 2200-K has a clean and simple design and provides maximum protection of the hoses.
- HMF 2200-K is available with different operation possibilities. With radio remote control, the operator obtains the ultimate freedom of action. Radio remote control can be combined with either stand-up controls or top seat on the loader column.

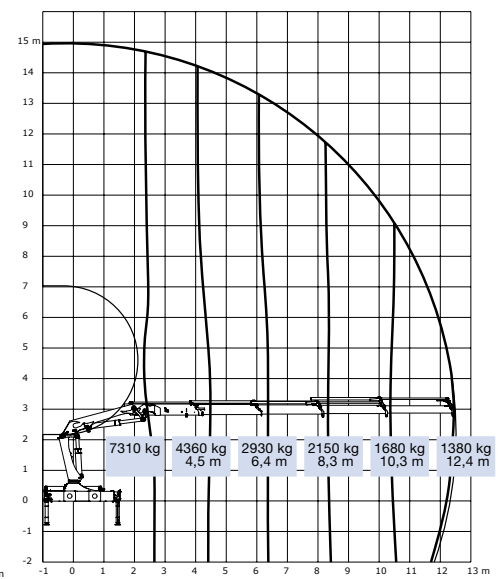
HMF 2200-K2



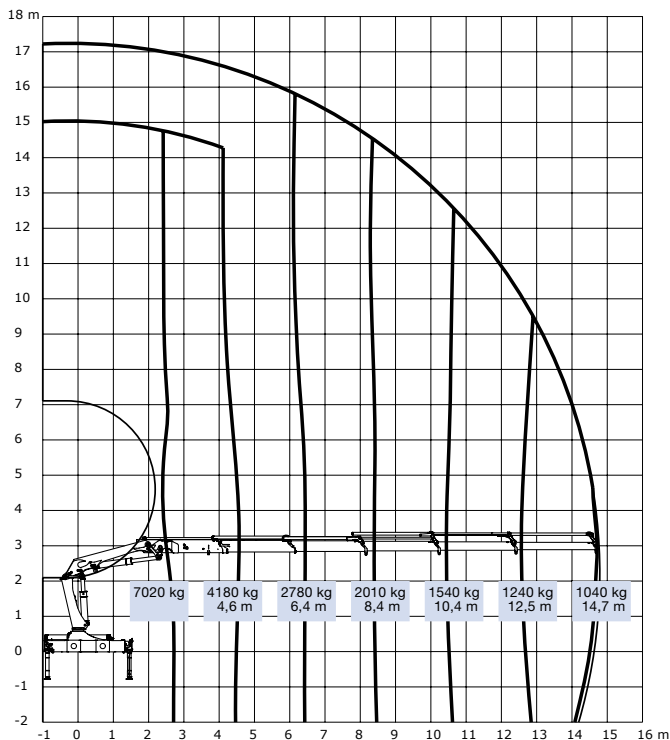
HMF 2200-K3



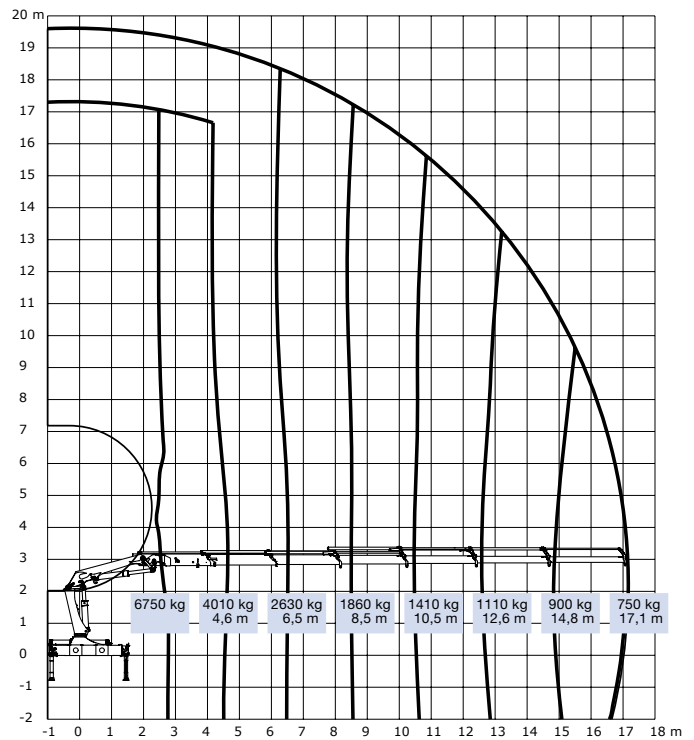
HMF 2200-K4



HMF 2200-K5



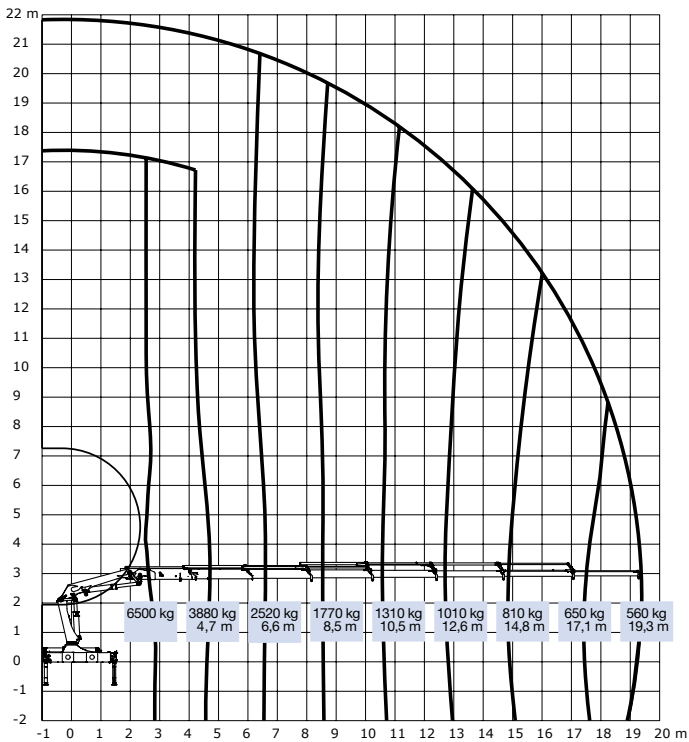
HMF 2200-K6



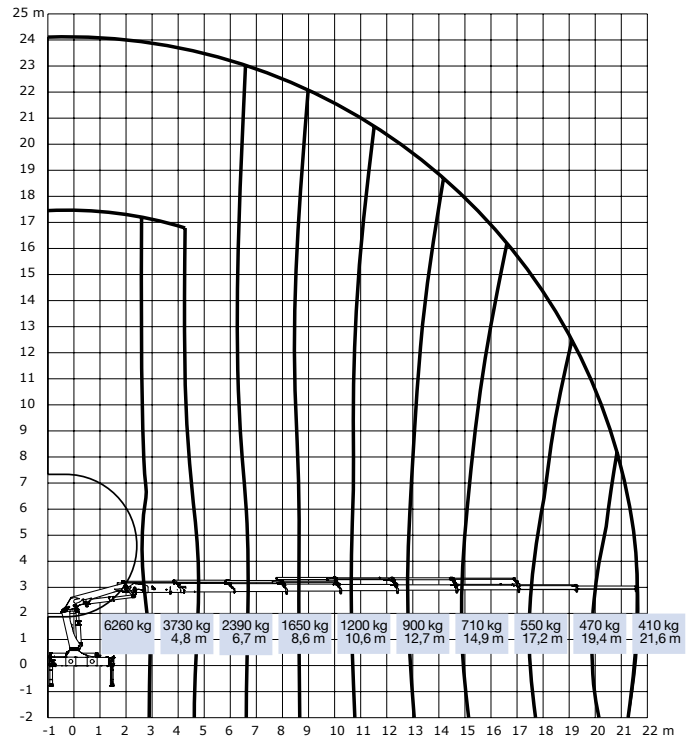
Loading group B3	Unit	2200-K2	2200-K3	2200-K4	2200-K5	2200-K6	2200-K7	2200-K8
Load moment	tm	20.6	20.1	19.5	19.1	18.6	18.3	17.8
Hydraulic reach	m	8.3	10.3	12.5	14.8	17.2	19.4	21.7
Slewing torque	kgm	2762	2762	2762	2762	2762	2762	2762
Slewing angle	°	400	400	400	400	400	400	400
Max. heel at max. moment	°	5	5	5	5	5	5	5
Working pressure	Bar	300	300	300	300	300	300	300
Recommended pump performance	l/min	60	60	60	60	60	60	60
Height above chassis	mm	2295	2295	2295	2295	2295	2295	2295
Length of loader, no extra valves	mm	880	880	880	880	880	990	990
Length of loader, with extra valves	mm	1000	1000	1000	1000	1000	-	-
Width	mm	2500	2500	2500	2500	2500	2500	2500
Stabilizer spread, standard	mm	5575	5575	5575	5575	5575	5575	5575
Stabilizer spread, double	mm	6455	6455	6455	6455	6455	6455	6455
Weight of standard loader excl. stabilizers*	kg	1980	2150	2350	2500	2640	2745	2830
Weight of stabilizers, standard*	kg	290	290	290	290	290	290	290
Weight of stabilizers, double*	kg	365	365	365	365	365	365	365

\* Weight excl. fittings, optional extras and oil.

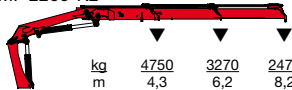
HMF 2200-K7



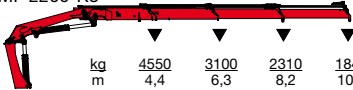
HMF 2200-K8



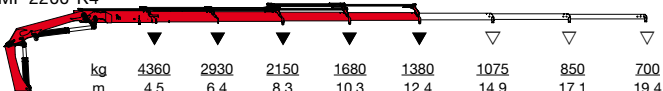
HMF 2200-K2



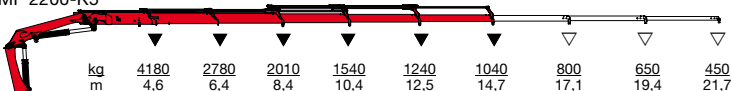
HMF 2200-K3



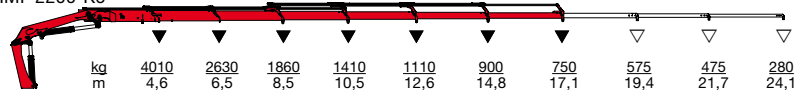
HMF 2200-K4



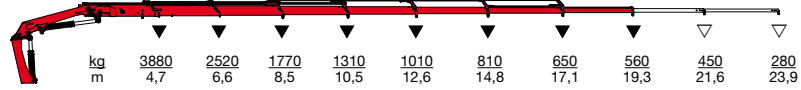
HMF 2200-K5



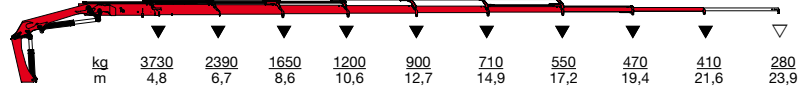
HMF 2200-K6



HMF 2200-K7



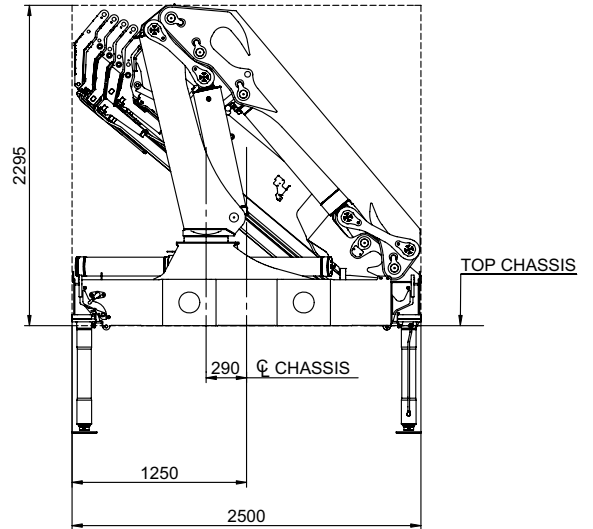
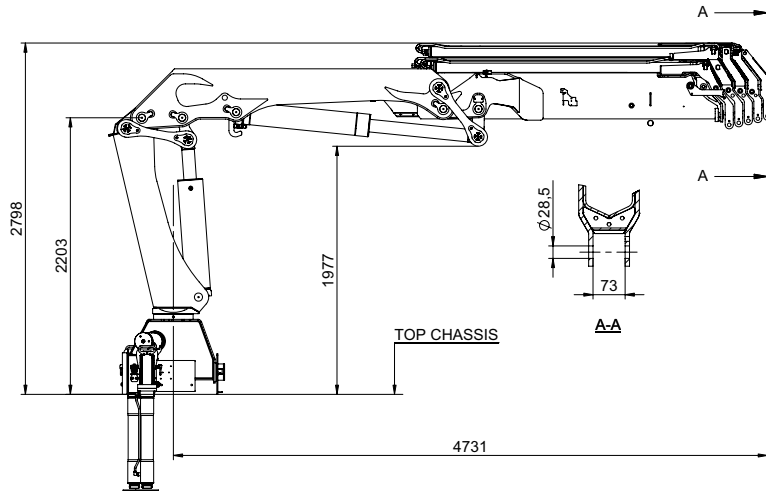
HMF 2200-K8



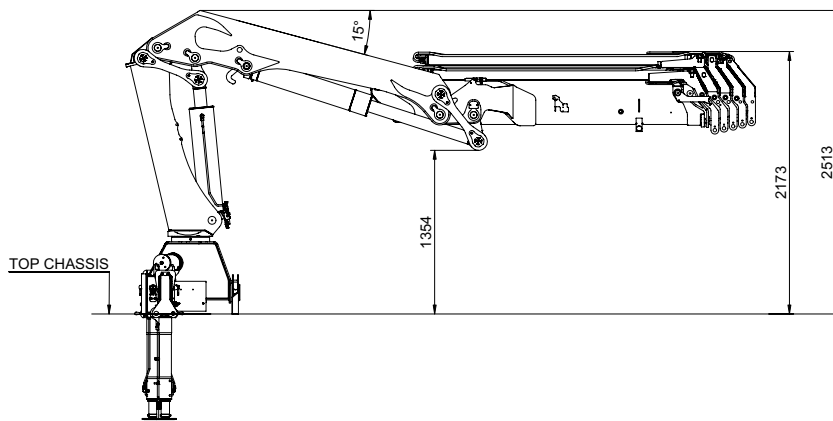
▼ Lifting capacity without manual extensions  
 ▽ Lifting capacity with manual extensions

# HMF Knuckle Boom Loader 2200-K

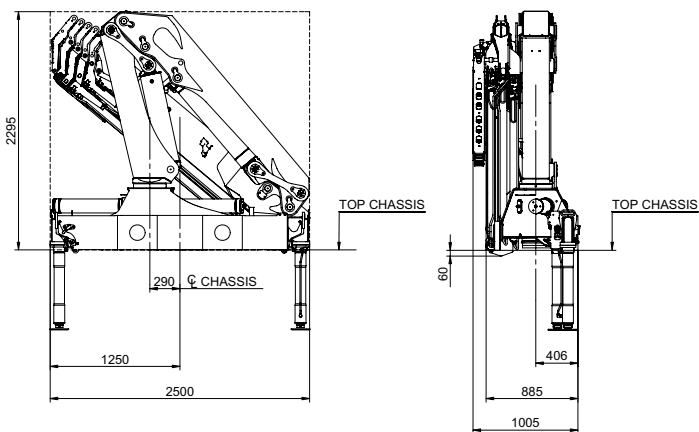
HMF 2200-K



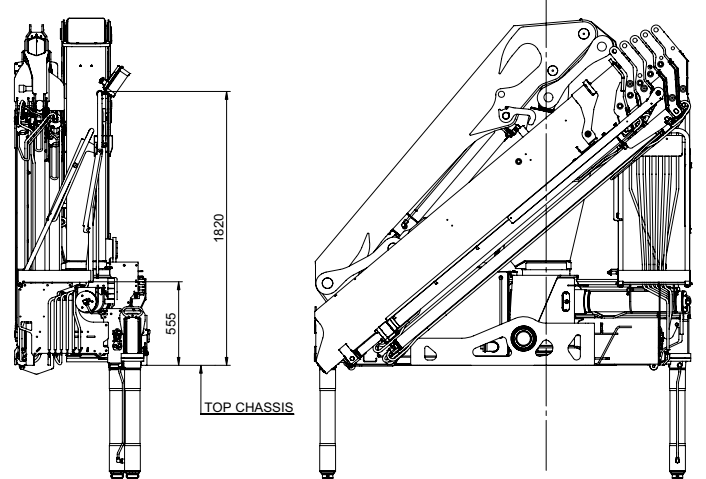
HMF 2200-K with over-bending of 15°



HMF 2200-K with winch



HMF 2200-K with stand-up controls



Z008407-1

We reserve the right to introduce improvements and modifications



Højbjerg Maskinfabrik A/S • Oddervej 200 • DK-8270 Højbjerg  
Tel.: +45 8627 0800 • Fax: +45 8627 0744 • info@hmf.dk

[www.hmf.dk](http://www.hmf.dk)